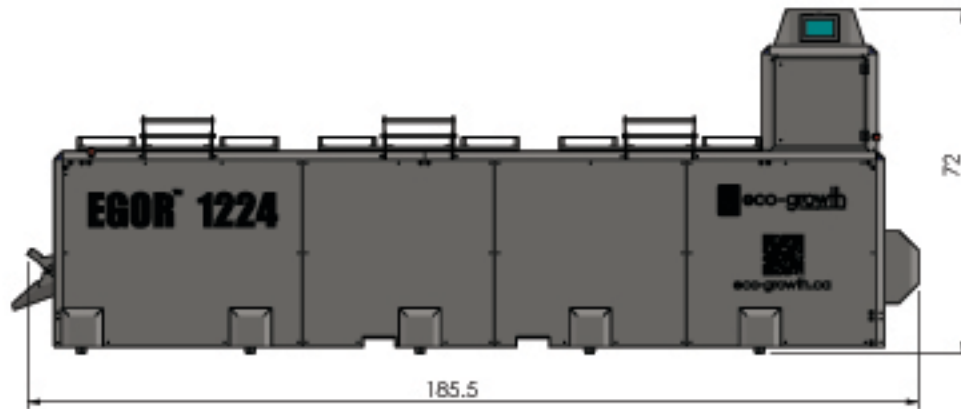
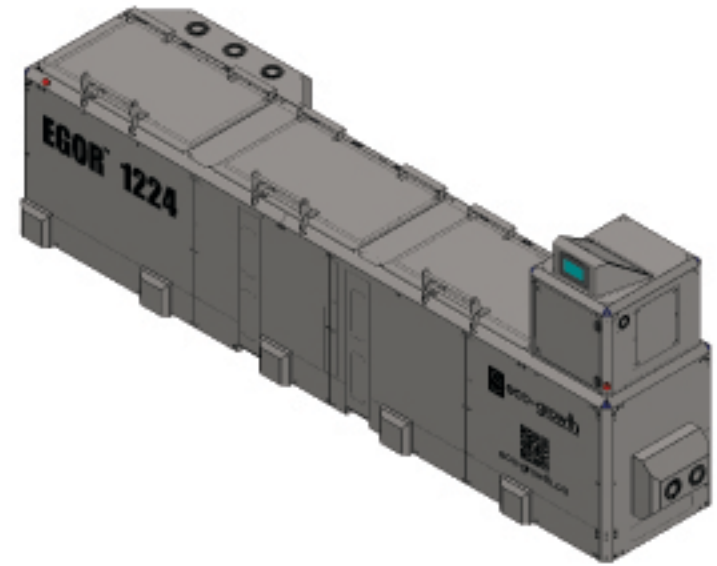
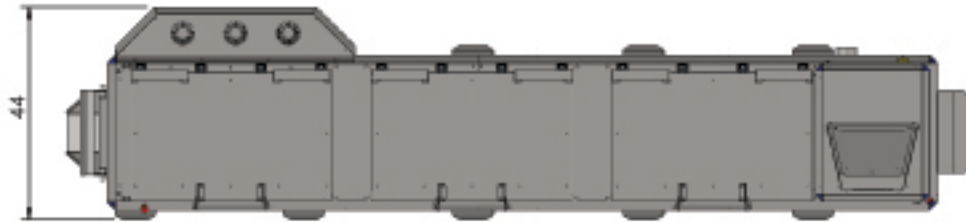


EGOR 1224



DESCRIPTION			
DIMENSIONS ARE INCHES UNLESS SPECIFIED TOLERANCES ARE: .X = ± 0.06 .XX = ± 0.03 .XXX = ± 0.01 ANGLES = ± 1°		DRAWN BY PROVEN DESIGN WORKS LTD. PROJECT NUMBER	
WEIGHT (LBS) THICKNESS (IN)		PART NUMBER KC1224X2-MAIN ASSY DATE (mm/dd/yyyy) 2021-05-12	
REVISION MATERIAL		SHEET 1 OF 1	

THIS DRAWING AND ALL INFORMATION THEREIN IS THE PROPERTY OF PROVEN DESIGN WORKS LTD. IT IS TO BE USED ONLY FOR THE PROJECT AND NOT TO BE REPRODUCED, COPIED, OR TRANSMITTED IN ANY MANNER WITHOUT THE WRITTEN PERMISSION OF PROVEN DESIGN WORKS LTD.